



True to your project. True to the environment.

MADE IN



U. S. A.

TRUEGRID ROOT 24" X 24" X1.0"

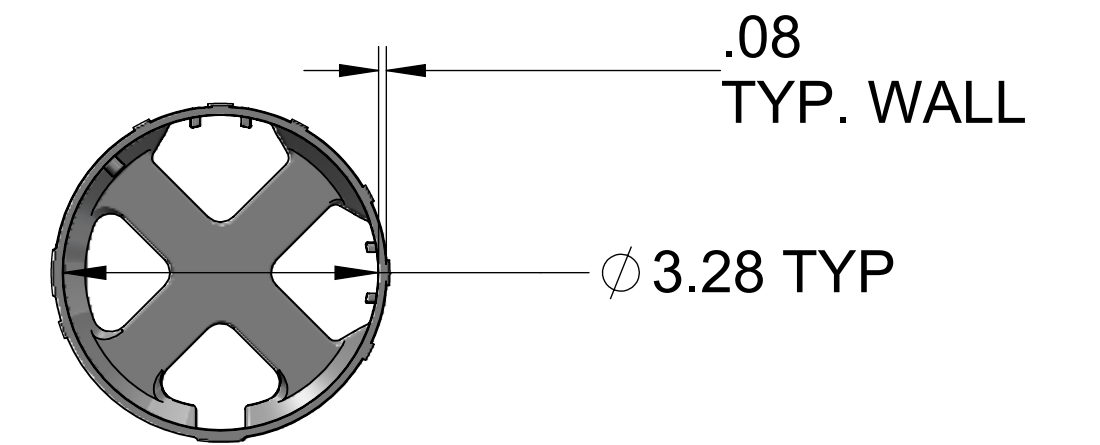
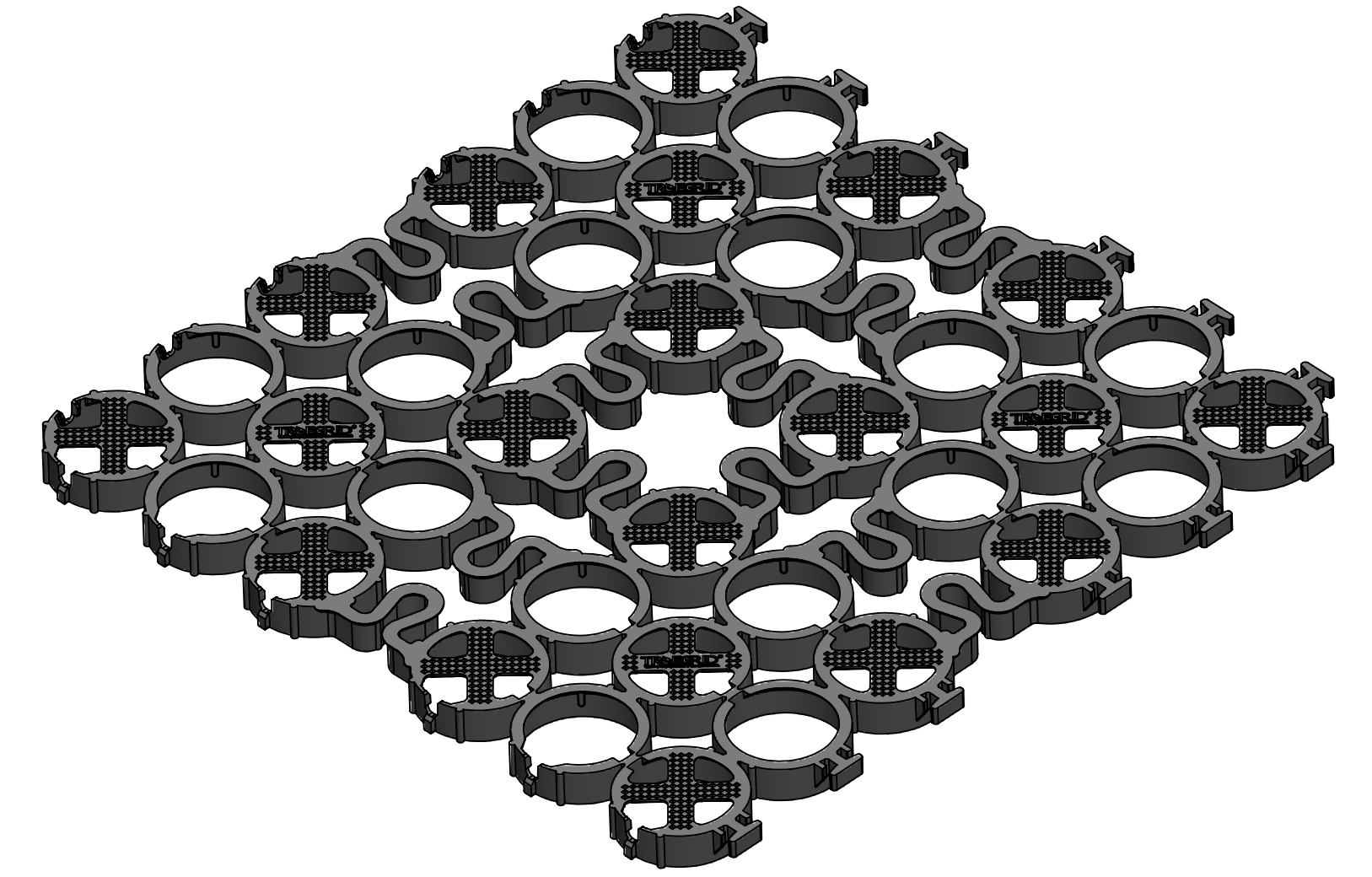
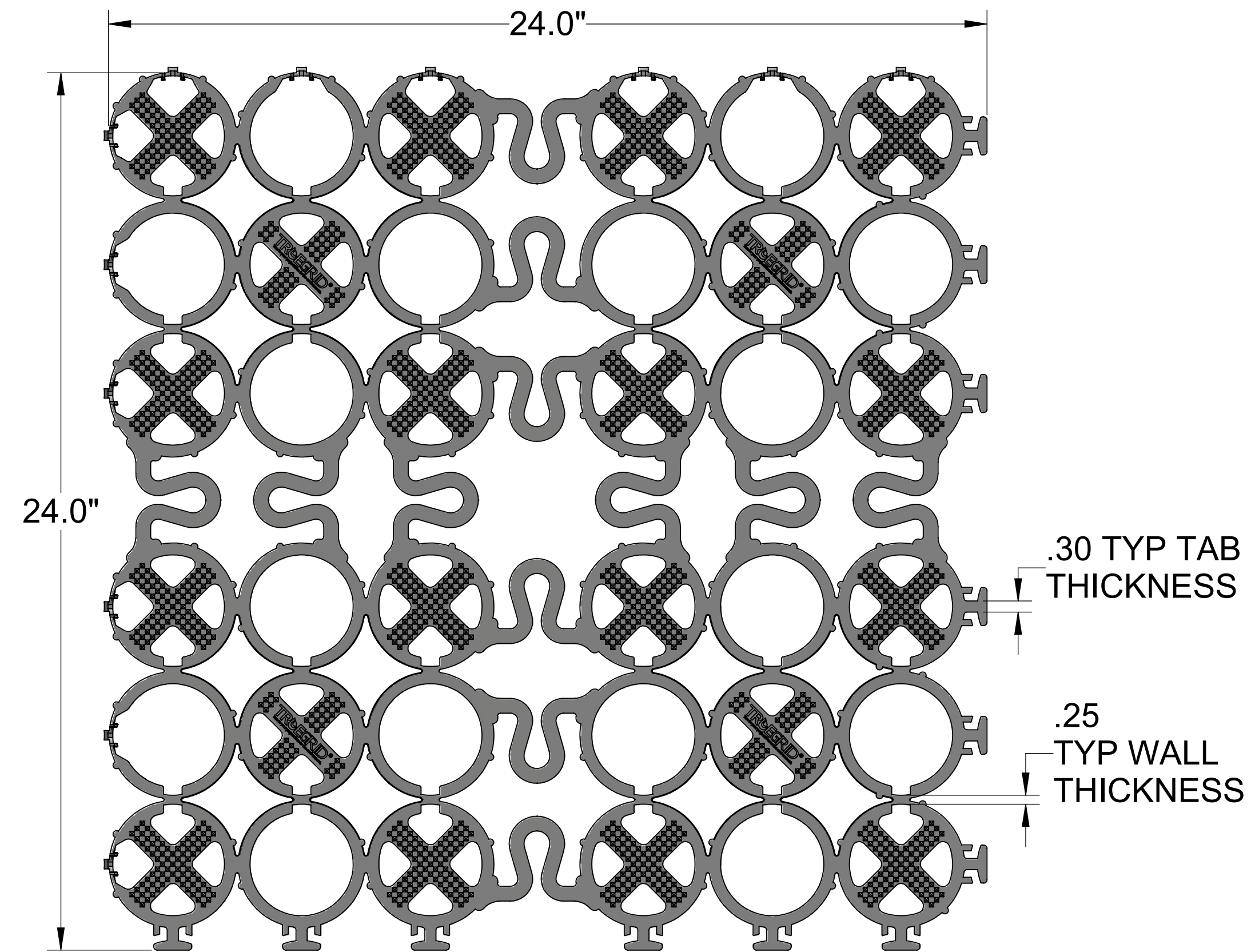
US PATENT NO. 8,734,049

PROPRIETARY FEATURES:

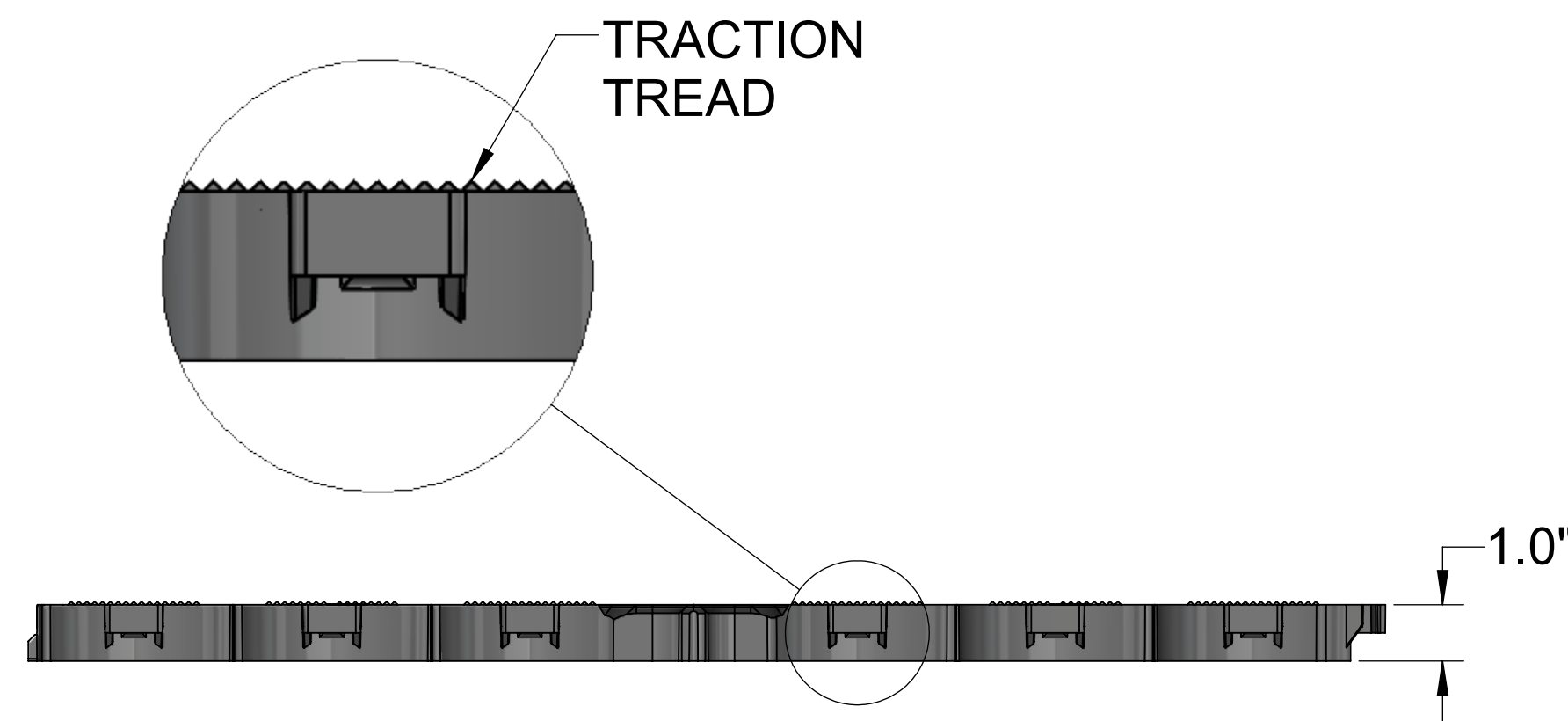
- 1) X-ANCHORS (NO STAKING NEEDED)
- 2) 3 POINT MALE/FEMALE LOCKING TABS
- 3) S-FLEX JOINTS (BUILT IN EXPANSION JOINTS FOR SOIL MOVEMENT AND SEASONAL CHANGES)
- 4) HOOP STRENGTH DESIGN

OTHER:

- 1) 100 % POST-CONSUMER RECYCLED HDPE.
- 2) DELIVERED IN PREASSEMBLED 4' X 4' SHEETS THAT CAN BE RECONFIGURED, AS NEEDED.
- 3) TRACTION TREAD.



CROPPED DETAIL FROM TOP VIEW



FOR PRICING OR ORDERING: CALL 1-855-355-GRID (4743). IN STOCK. FACTORY DIRECT.