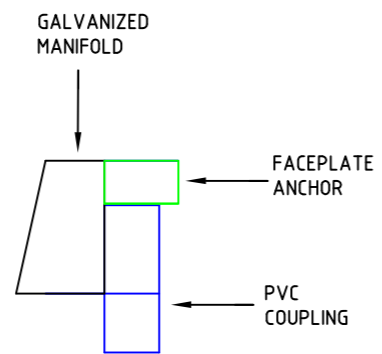
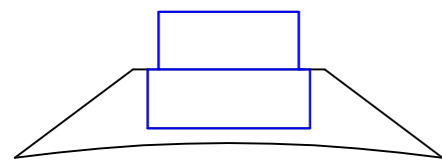


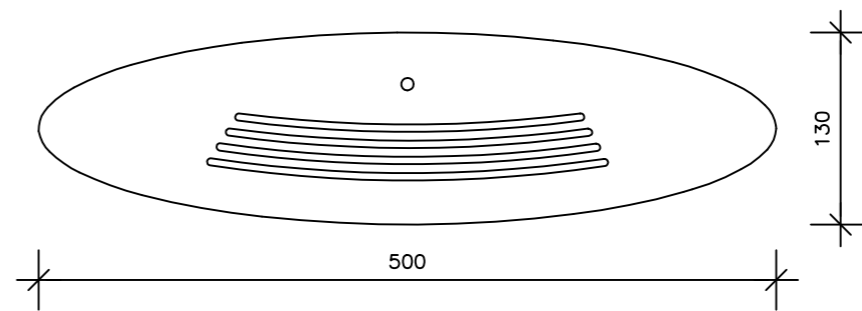
REAR VIEW



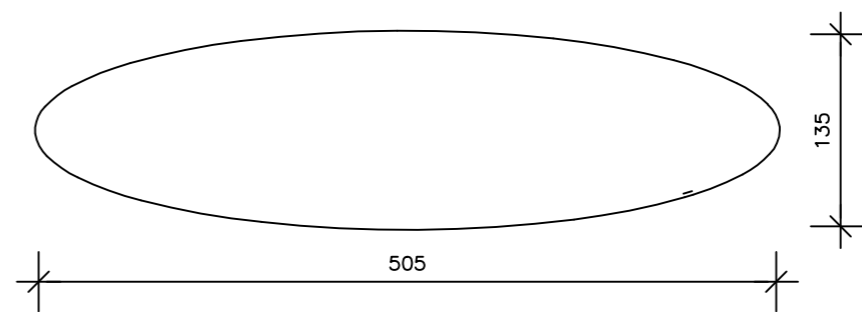
SIDE VIEW



BOTTOM VIEW



S/S FACEPLATE. 4 SLOT VERSION
1.6mm thickness



DISPOSABLE FORM.

David Lawry OAM
 Director Space Down Under
 E: david@spacedownunder.com.au
 M: 0418 806 803
 www.spacedownunder.com.au

©

SCALE 1:5@A3
 DATE 17/11/20
 DWG NO SK00
 Drawn by Dr Martin Ely AILA

Treenet S/S 4 Slot Inlet Sketch-For research purposes only

Preliminary only