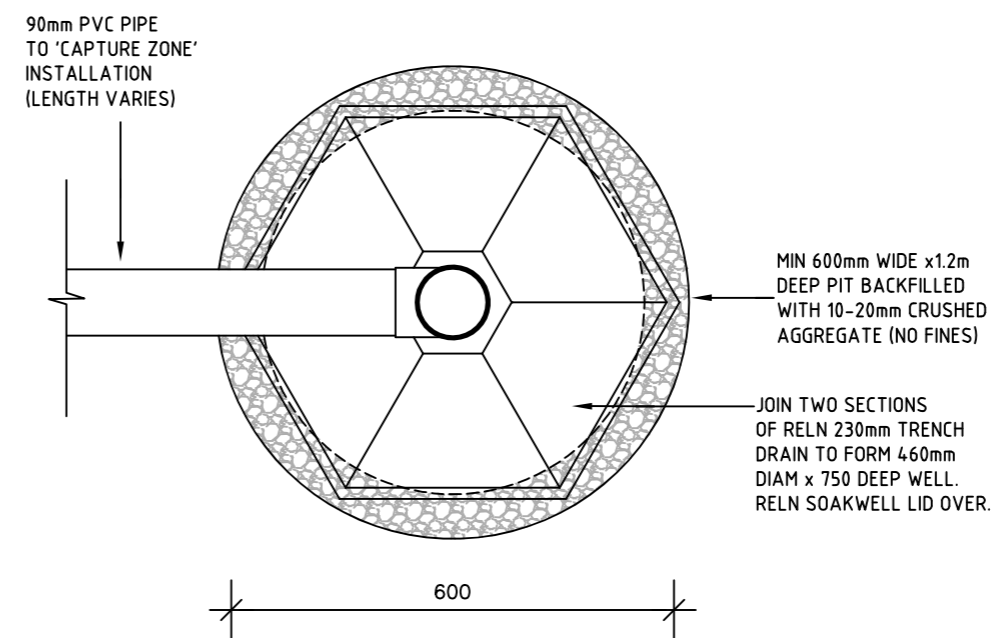


Capture zone plan
Treenet R750 kerb inlet



Infiltration zone plan R750P200[®]

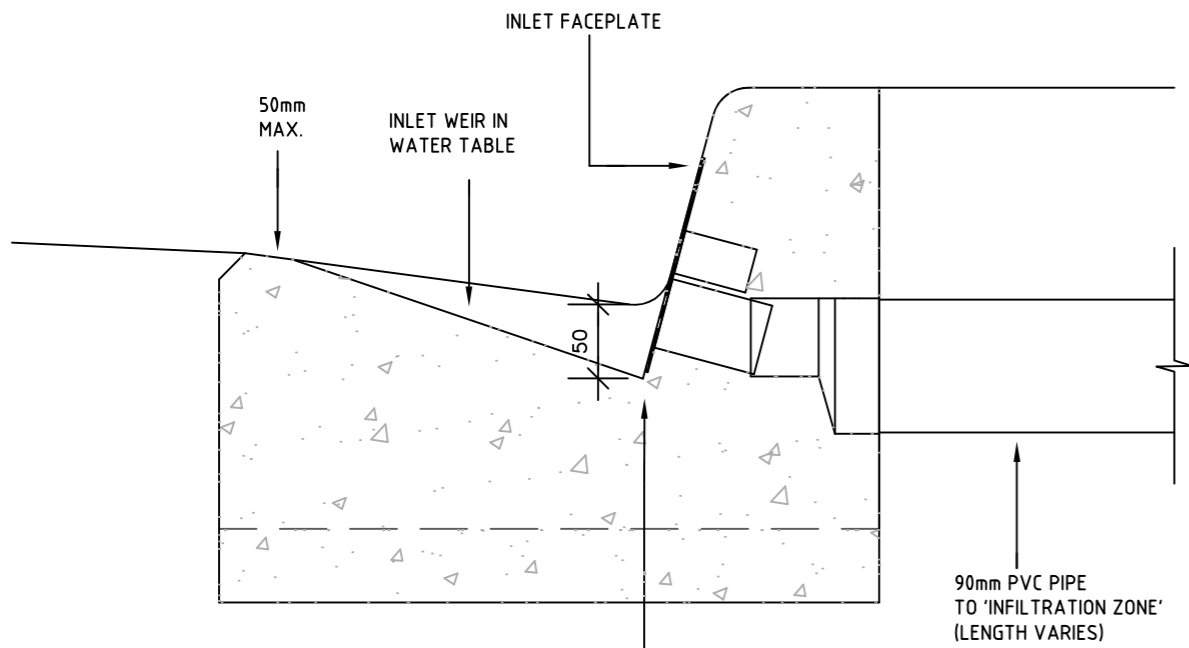


David Lawry OAM
 Director Space Down Under
 E: david@spacedownunder.com.au
 M: 0418 806 803
 www.spacedownunder.com.au

Installation detail R750P200[®]

SCALE 1:10@A3
 DATE 30/08/19
 DWG NO R750P200

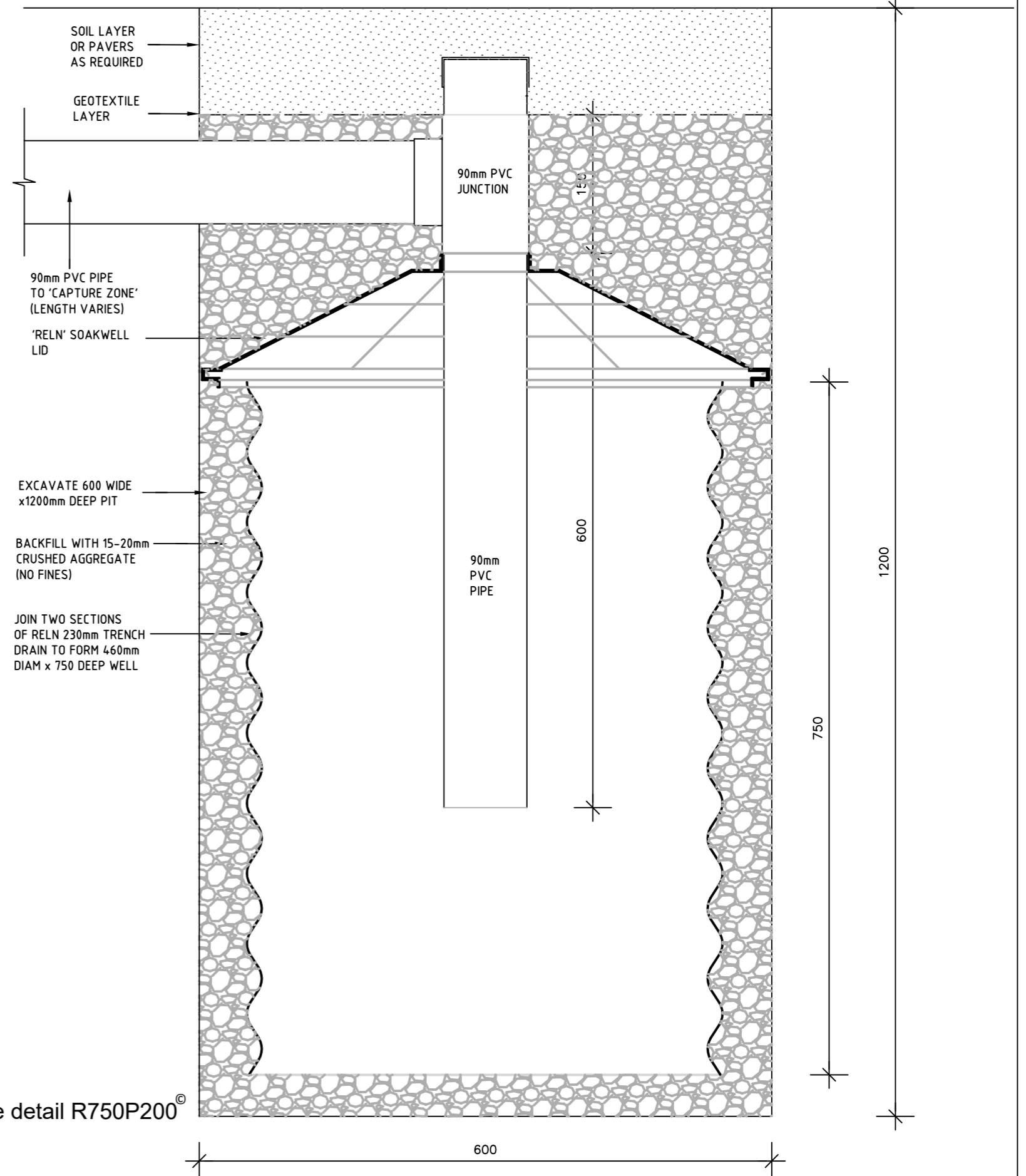
Drawn by Dr Martin Ely AILA



NOTE: REFER TO DETAIL DRAWING FOR TREENET R750 KERB INLET

NOTE: DEPTH OF WEIR TO BE 50mm BELOW KERB INVERT (+ OR - 5%)

Capture zone detail
Treenet R750 kerb inlet



Infiltration zone detail R750P200[®]



David Lawry OAM
 Director Space Down Under
 E: david@spacedownunder.com.au
 M: 0418 806 803
 www.spacedownunder.com.au

Installation detail R750P200[®]

SCALE 1:5@A3
 DATE 30/08/19
 DWG NO R750P200

Drawn by Dr Martin Ely AILA